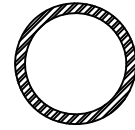


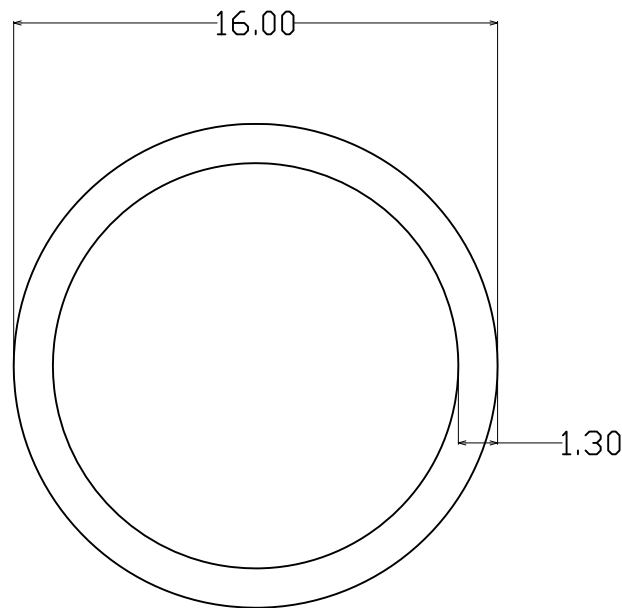


PT. ALUMINDO BERKAT SEJAHTERA  
ALUMINIUM EXTRUSIONS

DRAWING NUMBER	SECTION NUMBER
REF. NO. :	
CUST. NO. :	
MATING WITH SECTION NO	



ACTUAL SIZE  
SCALE 1:1



SCALE 4:1

TOLERANCE	
DIMENSION	TOLERANCE
> 0 - 3	±0.15
> 3 - 6	±0.18
> 6 - 12	±0.20
> 12 - 20	±0.23
> 20 - 25	±0.25
> 25 - 40	±0.31
> 40 - 50	±0.36
> 50 - 100	±0.61
> 100 - 150	±0.86
> 150 - 200	±1.12

REMOVE SHARP CORNERS WITH MAX. 0.40 RADIUS  
ALL DIMENSION ARE IN MILIMETER  
\* DENOTE IMPORTANT DIMENSION  
TOLERANCES ARE ACCORDING TO STANDARD UNLESS MENTIONED

CUSTOMER APPROVED
MARKETING APPROVED
OFFICE

SCALE	4:1	DATE	CUSTOMER	EXTRUDED PRODUCT
DRAWN	FARAKH	11-Jun-21	CV. AUMERITA ANGGUN	<input type="checkbox"/> SOLID <input checked="" type="checkbox"/> HOLLOW <input type="checkbox"/> SEMI HOLLOW <input type="checkbox"/> SPECIAL
CHECKED				
APPLICATION	-		TITLE	TYPE FIT <input type="checkbox"/> TIGHT <input type="checkbox"/> LOOSE <input checked="" type="checkbox"/> SNAP
CUSTOMER CODE			MATERIAL ALLOY	
ESTIMATED CALCULATE			SURFACE FINISH	Ø BILLET HOLE EXT. RATIO
AREA	60.036	MM <sup>2</sup>	LENGTH (M)	4" 2
WEIGHT	0.163	KG/M	FACTOR	
TOTAL PERIMETER	92.363	MM	CCD	
REQUEST DATE			DIES SIZE : 160 X 100	BOLSTER : READY
DELIVERY DATE				