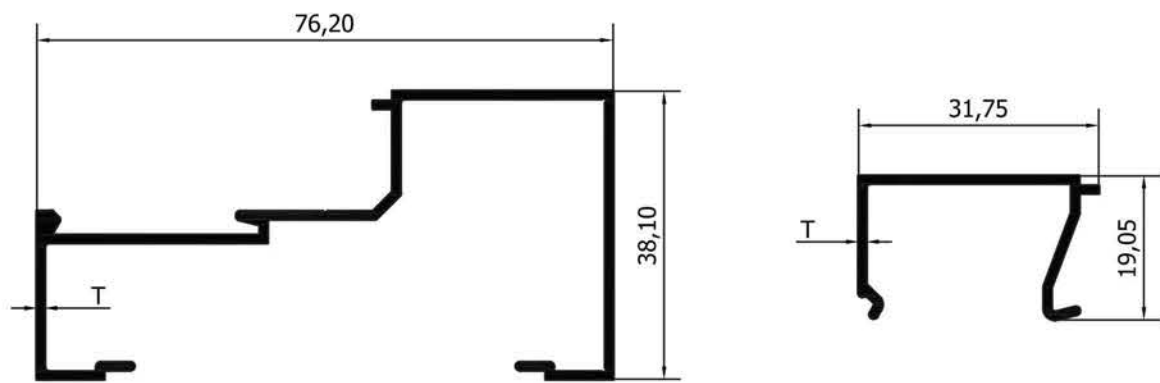


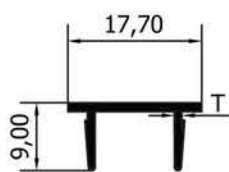
80060 85060 80070 85070

T = 1.00 mm T = 0.90 mm T = 1.00 mm T = 0.90 mm
 W = 0.478 Kg/m W = 0.431 Kg/m W = 0.570 Kg/m W = 0.514 Kg/m
 P = 352.934 mm P = 353.590 mm P = 420.274 mm P = 421.584 mm



80080 85080 80090 85090

T = 1.00 mm T = 0.90 mm T = 1.00 mm T = 0.90 mm
 W = 0.514 Kg/m W = 0.466 Kg/m W = 0.200 Kg/m W = 0.181 Kg/m
 P = 367.102 mm P = 367.596 mm P = 145.850 mm P = 145.030 mm

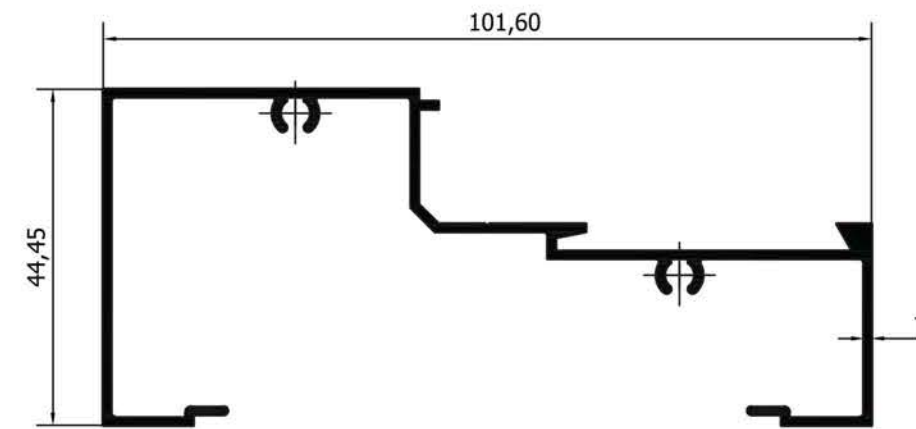


80100

T = 1.00 mm
 W = 0.103 Kg/m
 P = 68.470 mm

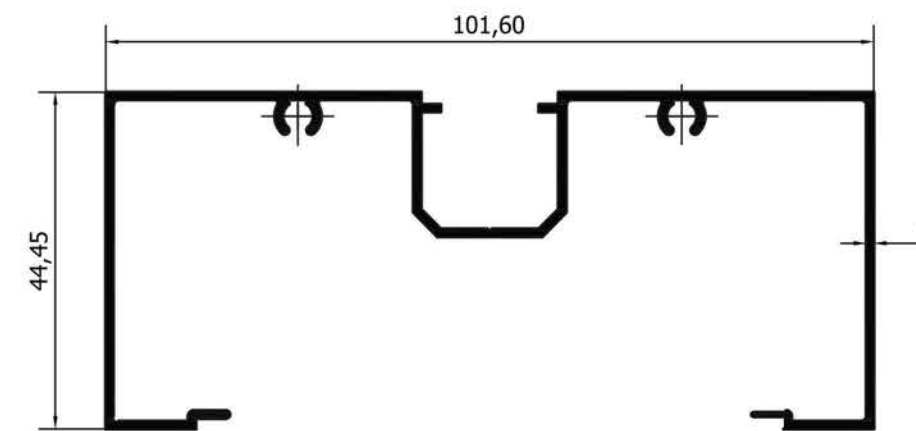
67

GROUP 80XXX



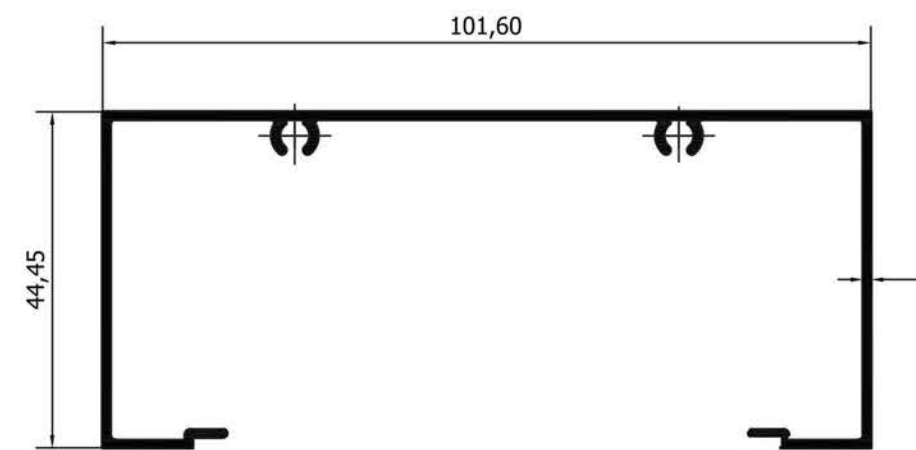
81010

T = 1.00 mm
 W = 0.712 Kg/m
 P = 497.543 mm



81020

T = 1.00 mm
 W = 0.763 Kg/m
 P = 554.278 mm

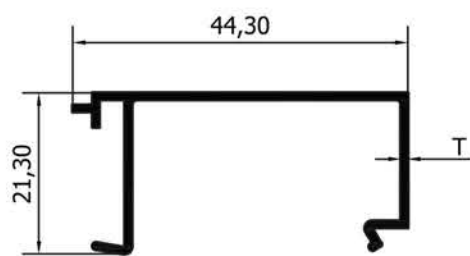


81030

T = 1.00 mm
 W = 0.660 Kg/m
 P = 479.068 mm

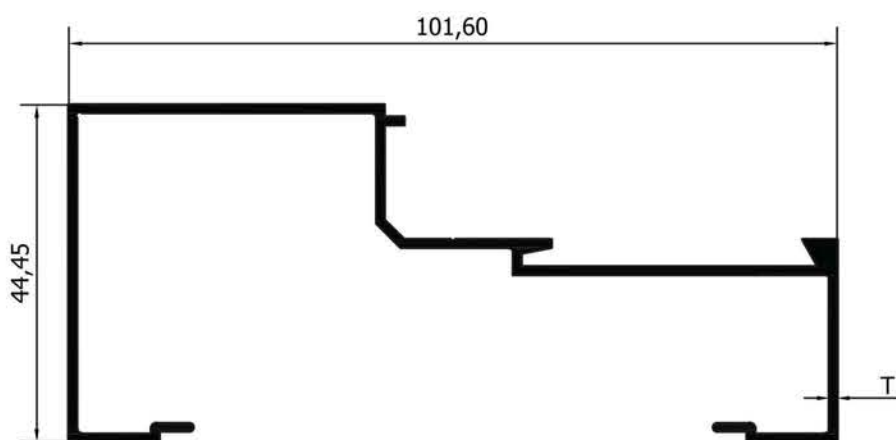
68

GROUP 81XXX



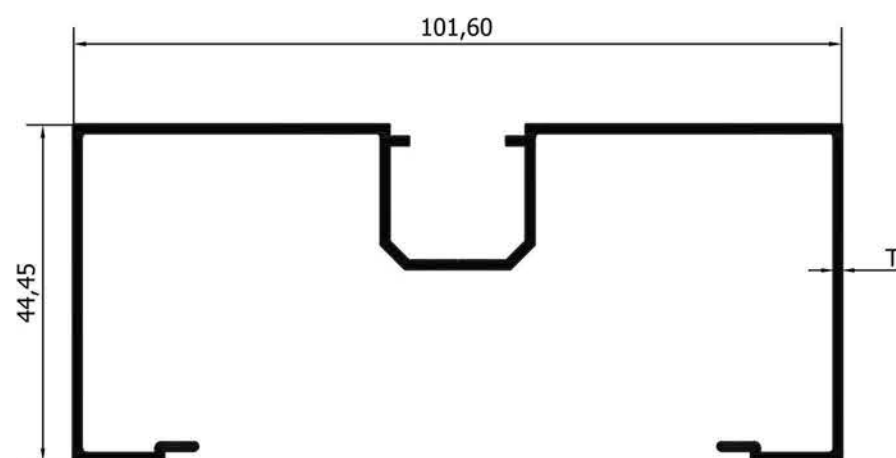
81040

T = 0.90 mm
W = 0.238 Kg/m
P = 195.129 mm



81050

T = 1.00 mm
W = 0.654 Kg/m
P = 462.015 mm

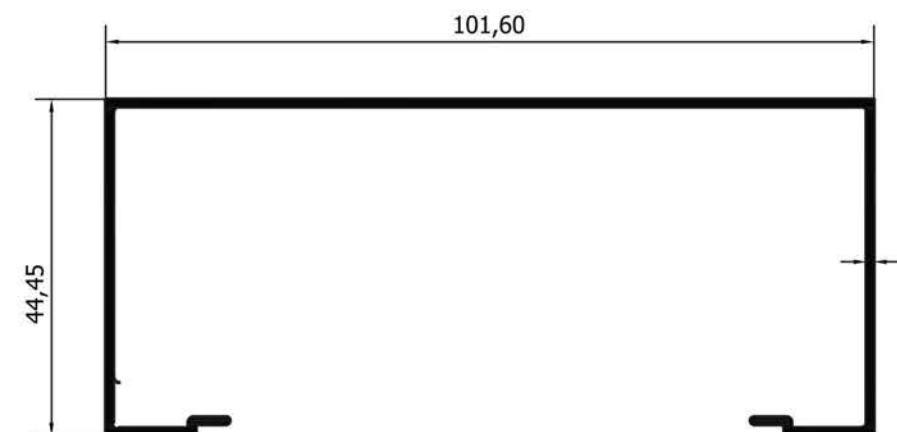


81060

T = 1.00 mm
W = 0.705 Kg/m
P = 518.845 mm

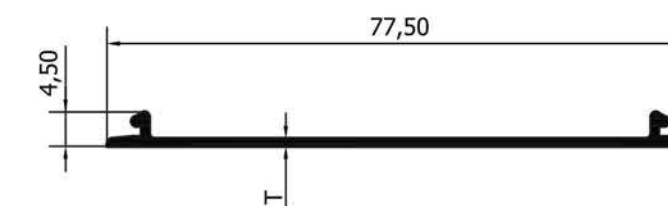
69

GROUP 81XXX



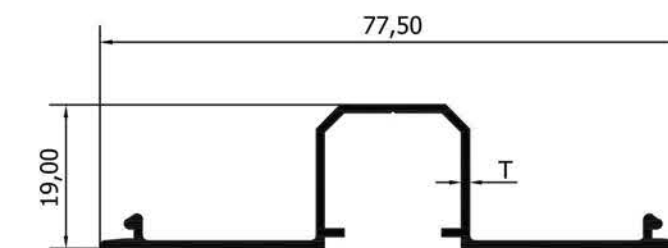
81070

T = 1.00 mm
W = 0.602 Kg/m
P = 443.539 mm



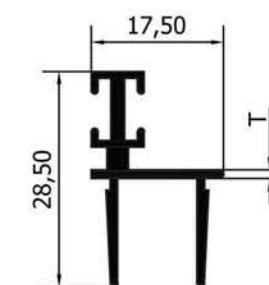
81080

T = 1.00 mm
W = 0.241 Kg/m
P = 172.004 mm



81090

T = 1.00 mm
W = 0.344 Kg/m
P = 247.194 mm



81901

T = 0.90 mm
W = 0.262 Kg/m
P = 150.623 mm

70

GROUP 81XXX