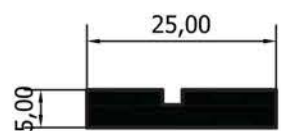


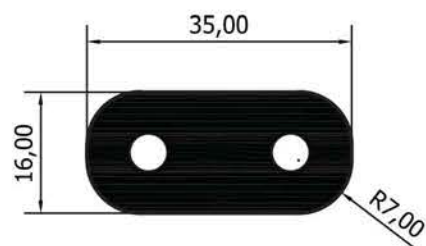
**78014**

T = 1.50 mm  
W = 0.494 Kg/m  
P = 243.381 mm



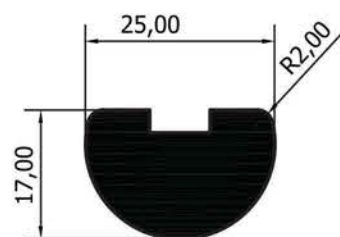
**78069**

T = 5.00 mm  
W = 0.322 Kg/m  
P = 64.000 mm



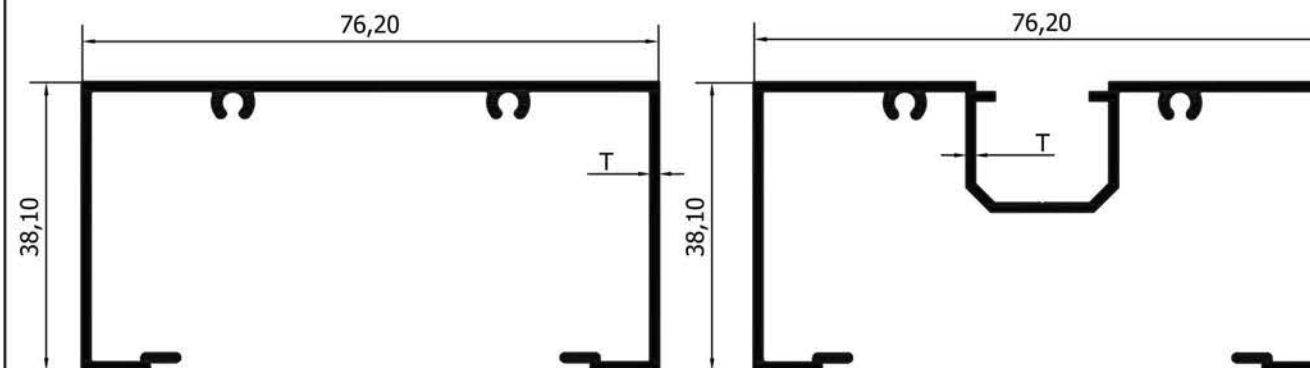
**78116**

T = 16.00 mm  
W = 1.288 Kg/m  
P = 122.655 mm



**78126**

T = 17.00 mm  
W = 0.896 Kg/m  
P = 76.988 mm



**80010**

T = 1.00 mm  
W = 0.529 Kg/m  
P = 378.479 mm

**85010**

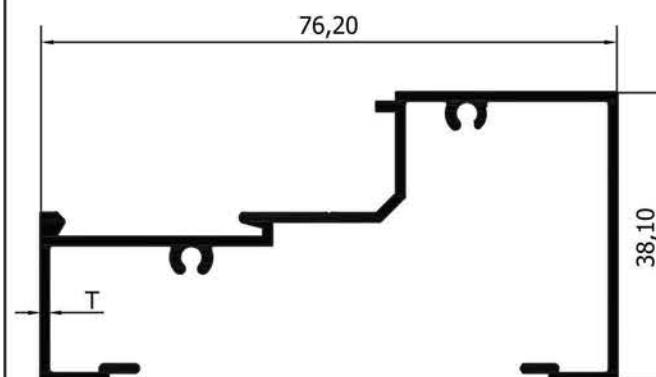
T = 0.90 mm  
W = 0.478 Kg/m  
P = 380.288 mm

**80020**

T = 1.00 mm  
W = 0.621 Kg/m  
P = 446.839 mm

**85020**

T = 0.90 mm  
W = 0.560 Kg/m  
P = 448.280 mm



**80030**

T = 1.00 mm  
W = 0.565 Kg/m  
P = 393.530 mm

**85030**

T = 0.90 mm  
W = 0.512 Kg/m  
P = 393.961 mm

**80040**

T = 1.00 mm  
W = 0.181 Kg/m  
P = 131.873 mm

**85040**

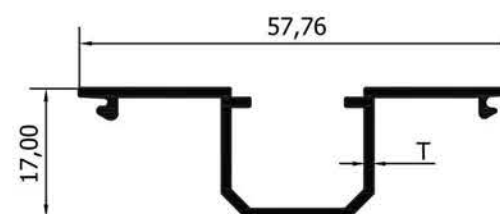
T = 0.90 mm  
W = 0.166 Kg/m  
P = 131.664 mm

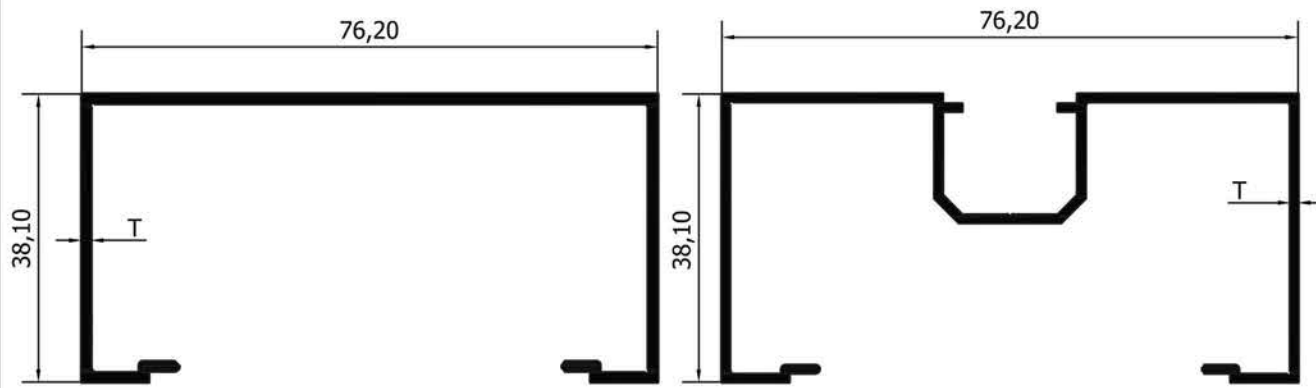
**80050**

T = 1.00 mm  
W = 0.274 Kg/m  
P = 198.082 mm

**85050**

T = 0.90 mm  
W = 0.248 Kg/m  
P = 199.127 mm





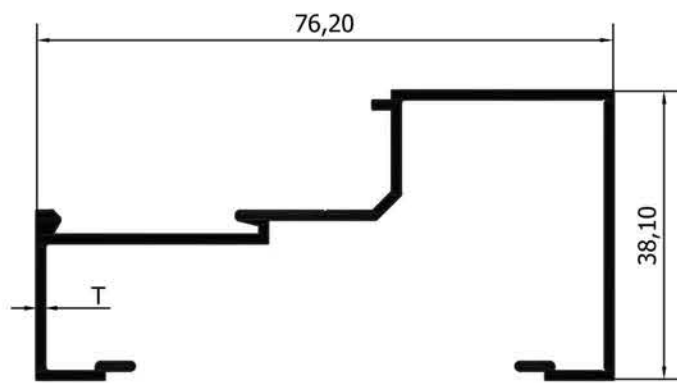
**80060**

**85060**

**80070**

**85070**

T = 1.00 mm    T = 0.90 mm    T = 1.00 mm    T = 0.90 mm  
 W = 0.478 Kg/m    W = 0.431 Kg/m    W = 0.570 Kg/m    W = 0.514 Kg/m  
 P = 352.934 mm    P = 353.590 mm    P = 420.274 mm    P = 421.584 mm



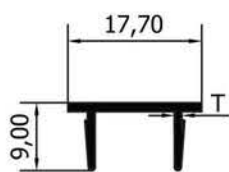
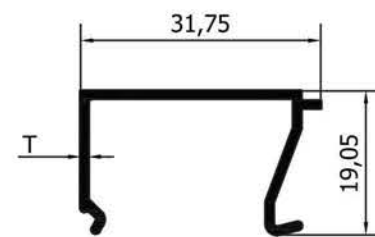
**80080**

**85080**

**80090**

**85090**

T = 1.00 mm    T = 0.90 mm    T = 1.00 mm    T = 0.90 mm  
 W = 0.514 Kg/m    W = 0.466 Kg/m    W = 0.200 Kg/m    W = 0.181 Kg/m  
 P = 367.102 mm    P = 367.596 mm    P = 145.850 mm    P = 145.030 mm

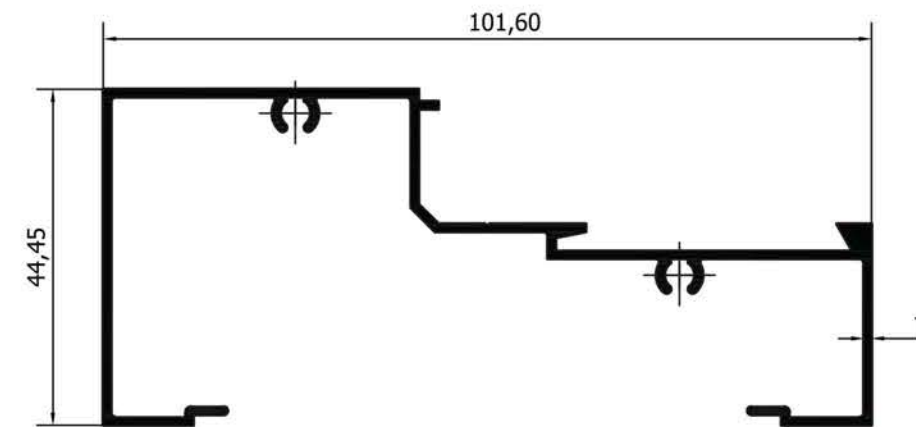


**80100**

T = 1.00 mm  
 W = 0.103 Kg/m  
 P = 68.470 mm

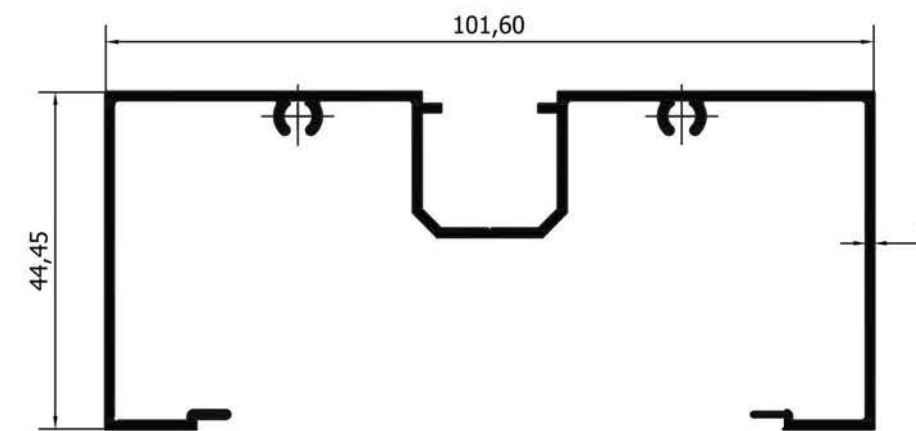
67

GROUP 80XXX



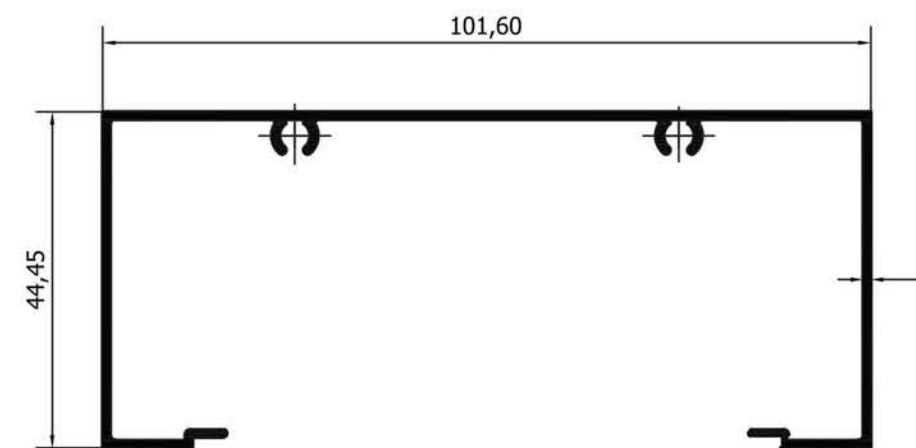
**81010**

T = 1.00 mm  
 W = 0.712 Kg/m  
 P = 497.543 mm



**81020**

T = 1.00 mm  
 W = 0.763 Kg/m  
 P = 554.278 mm



**81030**

T = 1.00 mm  
 W = 0.660 Kg/m  
 P = 479.068 mm

68

GROUP 81XXX