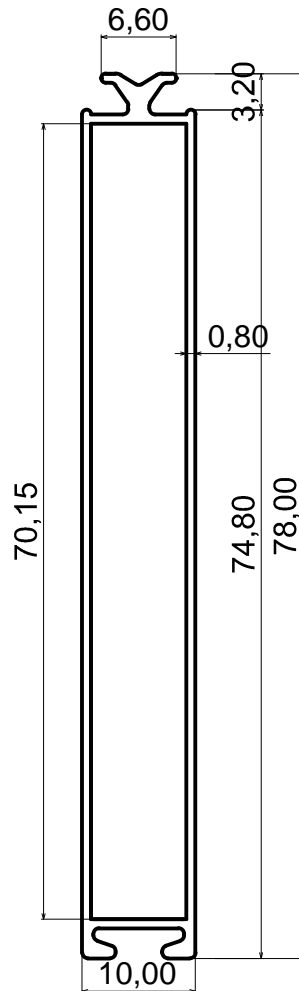
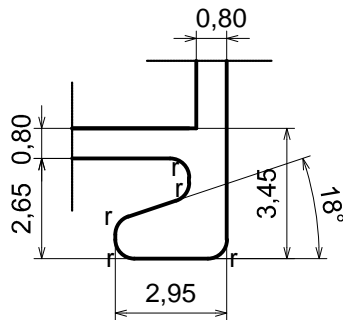
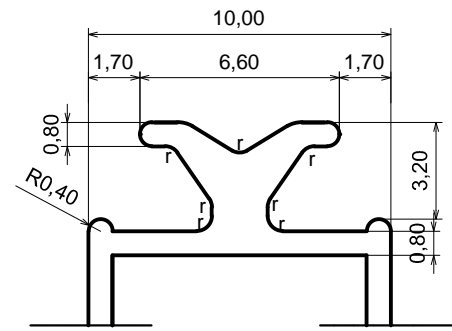




PT. ALUMINDO BERKAT SEJAHTERA
ALUMINIUM EXTRUSIONS

DRAWING NUMBER
REF. NO. : 10620-01
CUST. NO. :
MATING WITH SECTION NO

SECTION NUMBER
98370



SCALE 1.5 : 1

TOLERANCE	
DIMENSION	TOLERANCE
> 0 - 3	± 0.15
> 3 - 6	± 0.18
> 6 - 12	± 0.20
> 12 - 20	± 0.23
> 20 - 25	± 0.25
> 25 - 40	± 0.31
> 40 - 50	± 0.36
> 50 - 100	± 0.61
> 100 - 150	± 0.86
> 150 - 200	± 1.12

REMOVE SHARP CORNERS WITH MAX. 0.40 RADIUS
ALL DIMENSION ARE IN MILIMETER

* DENOTE IMPORTANT DIMENSION

TOLERANCES ARE ACCORDING TO STANDARD UNLESS MENTIONED

UNSPECIFIED THICKNESS = 0.80 mm ± 0.15
r = R0.5
FR = FULL RADIUS

CUSTOMER APPROVED
MARKETING APPROVED
OFFICE

SCALE	1.5:1	DATE	10-Jun-20	CUSTOMER		EXTRUDED PRODUCT	<input checked="" type="checkbox"/> SOLID <input type="checkbox"/> HOLLOW <input type="checkbox"/> SEMI HOLLOW <input type="checkbox"/> SPECIAL
DRAWN	ADE						
CHECKED							
APPLICATION	AKSESORIS		TITLE			TYPE FIT	<input type="checkbox"/> TIGHT <input type="checkbox"/> LOOSE <input checked="" type="checkbox"/> SNAP
CUSTOMER CODE			MATERIAL ALLOY				
			SURFACE FINISH			Ø BILLET	HOLE EXT. RATIO
AREA	150.080	MM ²	LENGTH (M)			5"	1
WEIGHT	0.407	KG/M	FACTOR				
TOTAL PERIMETER	351.429	MM	CCD				
REQUEST DATE			DIES SIZE : 180 X 120			BOLSTER : NOT READY	
DELIVERY DATE							