

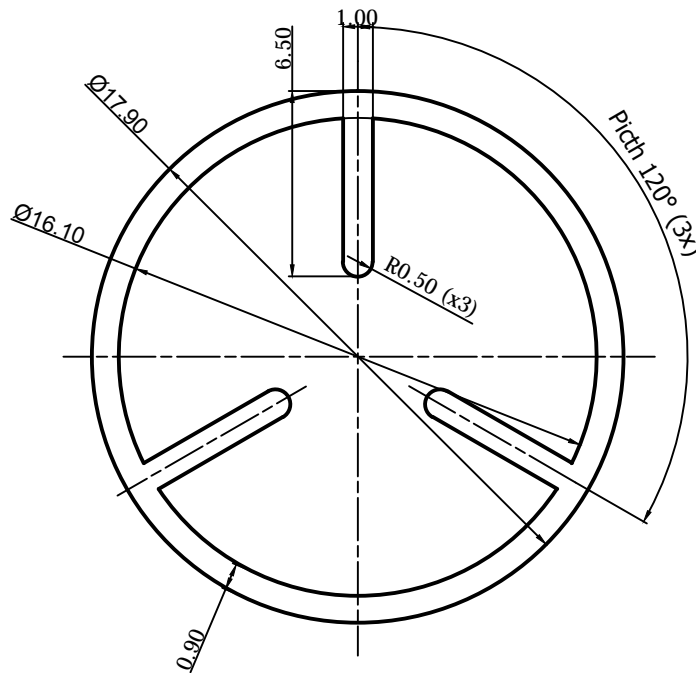


PT. ALUMINDO BERKAT SEJAHTERA
ALUMINIUM EXTRUSIONS

DRAWING NUMBER	SECTION NUMBER
REF. NO. : 26052018-003	98222
CUST. NO. :	
MATING WITH SECTION NO	



ACTUAL SIZE



TOLERANCE	
DIMENSION	TOLERANCE
> 0 - 3	±0.15
> 3 - 6	±0.18
> 6 - 12	±0.20
> 12 - 20	±0.23
> 20 - 25	±0.25
> 25 - 40	±0.31
> 40 - 50	±0.36
> 50 - 100	±0.61
> 100 - 150	±0.86
> 150 - 200	±1.12

UNSPECIFIED THICKNESS = 0.90 mm ^{±0.15}
FULL RADIUS = R

REMOVE SHARP CORNERS WITH MAX. 0.40 RADIUS
ALL DIMENSION ARE IN MILIMETER
* DENOTE IMPORTANT DIMENSION
TOLERANCES ARE ACCORDING TO STANDARD UNLESS MENTIONED

CUSTOMER APPROVED
MARKETING APPROVED

SCALE	1:1	DATE	CUSTOMER		EXTRUDED PRODUCT			
DRAWN	LAMBOK	26-05-2018			<input type="checkbox"/>	<input checked="" type="checkbox"/>	<input type="checkbox"/>	<input type="checkbox"/>
CHECKED					SOLID HOLLOW SEMI HOLLOW SPECIAL			
APPROVED			TITLE	EQUAL ANGLE	TYPE FIT <input type="checkbox"/> <input type="checkbox"/> <input checked="" type="checkbox"/>			
ESTIMATED CALCULATE			MATERIAL ALLOY	6063-T5	TIGHT LOOSE SNAP			
AREA	64.529	MM ²	SURFACE FINISH		Ø BILLET	HOLE	EXT. RATIO	
WEIGHT	0.175	KG/M	LENGTH (M)		4"	2		
TOTAL PERIMETER	139.031	MM	FACTOR					
OUT SIDE PERIMETER		MM	CCD					
REQUEST DATE			DIES SIZE : 160 x 100		BOLSTER : READY			
DELIVERY DATE								