



PT. ALUMINDO BERKAT SEJAHTERA
ALUMINIUM EXTRUSIONS

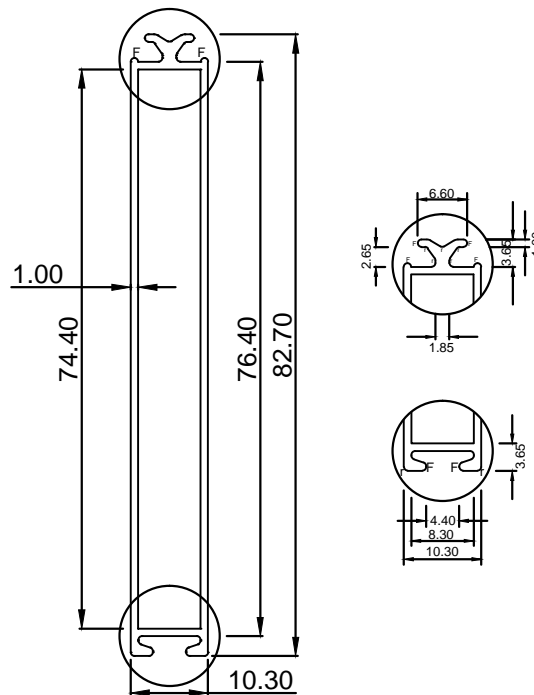
DRAWING NUMBER
REF. NO. : 05.09.2014.001
CUST. NO. :

SECTION NUMBER
98108

MATING WITH SECTION NO



ACTUAL SIZE



TOLERANCE	
DIMENSION	TOLERANCE
> 0 - 3	±0.15
> 3 - 6	±0.18
> 6 - 12	±0.20
> 12 - 20	±0.23
> 20 - 25	±0.25
> 25 - 40	±0.31
> 40 - 50	±0.36
> 50 - 100	±0.61
> 100 - 150	±0.86
> 150 - 200	±1.12

REMOVE SHARP CORNERS WITH MAX. 0.40 RADIUS
ALL DIMENSION ARE IN MILIMETER
* DENOTE IMPORTANT DIMENSION
TOLERANCES ARE ACCORDING TO STANDARD UNLESS MENTIONED

UNSPECIFIED THICKNESS = 1.00
F = FULL RADIUS, V = 0.30 Deep x 90°
r = 0.50

CUSTOMER APPROVED

SCALE	1 : 1	DATE	05-09-2014	CUSTOMER		EXTRUDED PRODUCT			
DRAWN	ADIN					<input type="checkbox"/>	<input checked="" type="checkbox"/>	<input type="checkbox"/>	<input type="checkbox"/>
CHECKED :						SOLID SEMI HOLLOW SPECIAL			
APPROVED :	A. SLAMET R			TITLE		TYPE FIT <input type="checkbox"/> <input type="checkbox"/> <input checked="" type="checkbox"/>			
ESTIMATED CALCULATE				MATERIAL ALLOY		TIGHT LOOSE SNAP			
AREA	191.042	MM ²		SURFACE FINISH		Ø BILLET	HOLE	EXT. RATIO	
WEIGHT	0.520	KG/M		LENGTH (M)		3.5"	1	36	
TOTAL PERIMETER	370.167	MM		FACTOR	369				
OUT SIDE PERIMETER	204.54			CCD,	75.11				

REQUEST DATE		NOTE :
DELIVERY DATE		