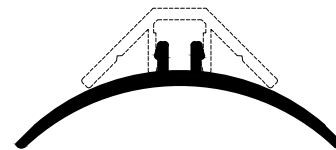


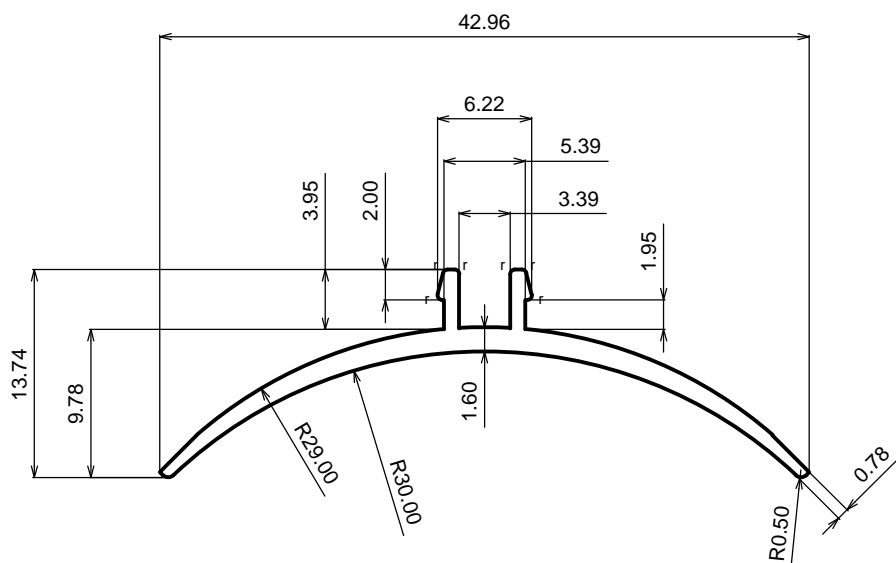


PT. ALUMINDO BERKAT SEJAHTERA
ALUMINIUM EXTRUSIONS

DRAWING NUMBER	SECTION NUMBER
REF. NO. : 261118-002	97044
CUST. NO. :	
MATING WITH SECTION NO	



ACTUAL SIZE



TOLERANCE	
DIMENSION	TOLERANCE
> 0 - 3	±0.15
> 3 - 6	±0.18
> 6 - 12	±0.20
> 12 - 20	±0.23
> 20 - 25	±0.25
> 25 - 40	±0.31
> 40 - 50	±0.36
> 50 - 100	±0.61
> 100 - 150	±0.86
> 150 - 200	±1.12

REMOVE SHARP CORNERS WITH MAX. 0.40 RADIUS
ALL DIMENSION ARE IN MILIMETER

* DENOTE IMPORTANT DIMENSION

TOLERANCES ARE ACCORDING TO STANDARD UNLESS MENTIONED

UNSPECIFIED THICKNESS = 1.60 mm
r = 0.30 mm

CUSTOMER APPROVED
MARKETING APPROVED
OFFICE

SCALE	2:1	DATE	CUSTOMER		EXTRUDED PRODUCT			
DRAWN	FAZAR	26-11-2018			<input checked="" type="checkbox"/>	<input type="checkbox"/>	<input type="checkbox"/>	<input type="checkbox"/>
CHECKED					SOLID HOLLOW SEMI HOLLOW SPECIAL			
APPROVED			TITLE	EQUAL ANGLE	TYPE FIT <input type="checkbox"/> <input type="checkbox"/> <input checked="" type="checkbox"/>			
ESTIMATED CALCULATE			MATERIAL ALLOY		TIGHT LOOSE SNAP			
AREA	71.223	MM ²	SURFACE FINISH		Ø BILLET HOLE EXT. RATIO			
WEIGHT	0.193	KG/M	LENGTH (M)		4"	2		
TOTAL PERIMETER	111.846	MM	FACTOR					
OUT SIDE PERIMETER		MM	CCD					
REQUEST DATE			DIES SIZE : 160 x 100		BOLSTER : READY			
DELIVERY DATE								