



PT. ALUMINDO BERKAT SEJAHTERA
ALUMINIUM EXTRUSIONS

DRAWING NUMBER

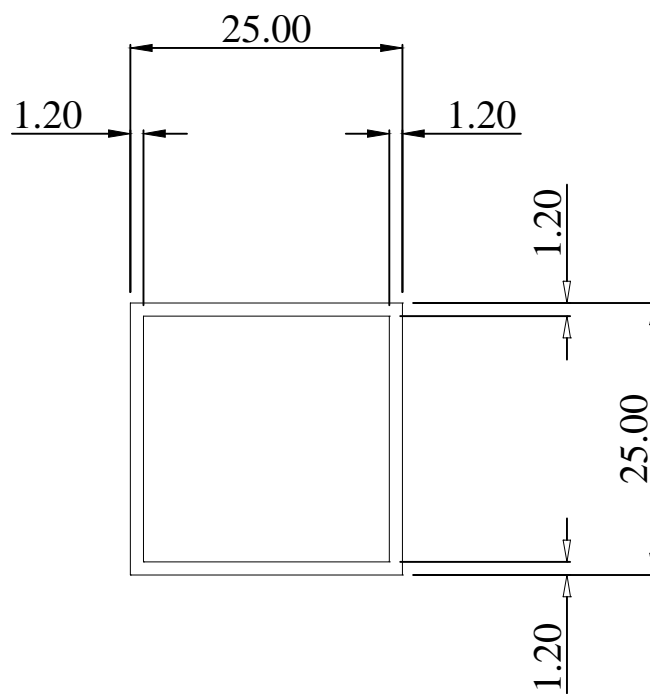
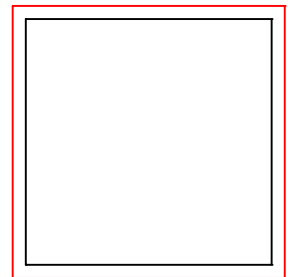
REF. NO. : 201111-011

CUST. NO. : ---

MATING WITH SECTION NO :

SECTION NUMBER

40100



TOLERANCE	
DIMENSION	TOLERANCE
> 0 - 3	±0.15
> 3 - 6	±0.18
> 6 - 12	±0.20
> 12 - 20	±0.23
> 20 - 25	±0.25
> 25 - 40	±0.31
> 40 - 50	±0.36
> 50 - 100	±0.61
> 100 - 150	±0.86
> 150 - 200	±1.12

Remove sharp corners with max. 0.40 radius
All dimension area in milimeter
(#) Denote important dimension
Tolerances are according to standard unless mentioned

Unspecified thickness = 1.20^{±0.15}
F = Full radius
V = --- Deep x 90°
r = ---

CUSTOMER APPROVED

SCALE	1 : 1	DATE	CUSTOMER		EXTRUDED PRODUCT			
DRAWN	JIS	11-11-2011	---		<input type="checkbox"/>	<input type="checkbox"/>	<input checked="" type="checkbox"/>	<input type="checkbox"/>
CHECKED :					SOLID	SEMI HOLLOW	HOLLOW	SPECIAL
APPROVED :	A . SLAMET R		TITLE	FURNITURE	TYPE FIT			<input type="checkbox"/>
ESTIMATED CALCULATE			MATERIAL ALLOY	6063 - T5				<input type="checkbox"/>
AREA	114.24	MM ²	SURFACE FINISH		Ø BILLET	HOLE	EXT. RATIO	<input checked="" type="checkbox"/>
WEIGHT	0.310	KG/M	LENGTH (M)		3.5"	-	-	
TOTAL PERIMETER	100.00	MM	FACTOR	190	5"	2	59	
OUT SIDE PERIMETER	90.40	MM	CCD,	35.36				

REQUEST DATE		NOTE :
DELIVERY DATE		